

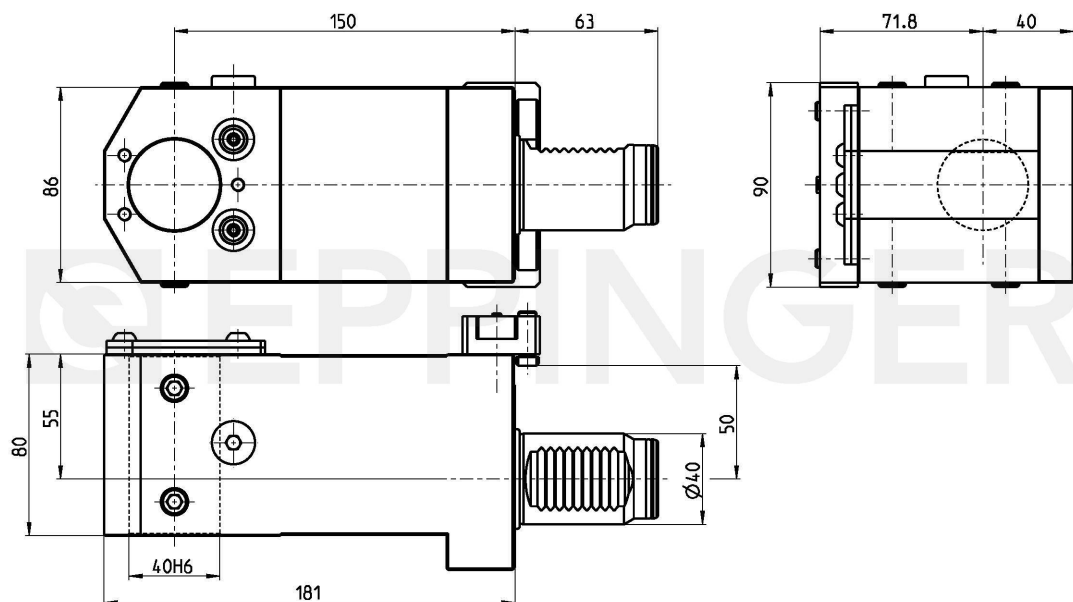


Boring bar holder, angular, right hand, short
cylindrical chuck $\varnothing 40$, external and central coolant supply

Número de pieza 7.040.874

para Murata-Muratec MT25

Accesorios Bushing Type M/ L1=88 !!
see Equipment for Toolholders Z5.1
Taper sleeves with morse taper
see Equipment for Toolholders Z6.1
Cover for high pressure



Datos Técnicos sujetos a cambios

30.06.2014 | 20.07.2022

ESA Eppinger GmbH | Breitwiesenweg 2-8 | 73770 Denkendorf, Germany | www.eppinger.de