

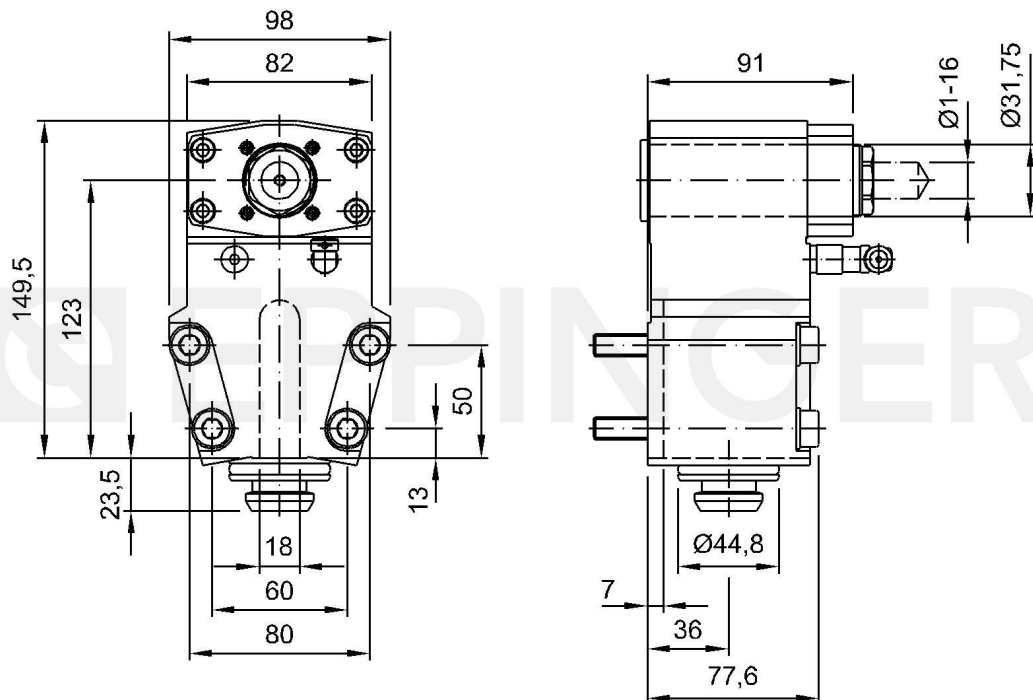


Boring bar holder, angular, left hand - right hand  
collet chuck, ER25A, PRECI-FLEX®, external and central coolant  
supply

Número de pieza 7.072.196

para Hardinge Quest 65, SR + RS Reihe (ESA-Rev.)

Accesorios Collets see Equipment for Toolholders Z2.1  
Sealing washers see Equipment for Toolholders Z4.1  
PRECI-FLEX® Adapter  
Coolant tubes 0.000.377 7.071.084  
Holder D=19,05 7.072.206  
Holder D=25,4 7.072.207  
Holder D=22,225 7.072.741



Datos Técnicos sujetos a cambios

03.08.2004 | 18.12.2012

ESA Eppinger GmbH | Breitwiesenweg 2-8 | 73770 Denkendorf, Germany | www.eppinger.de