

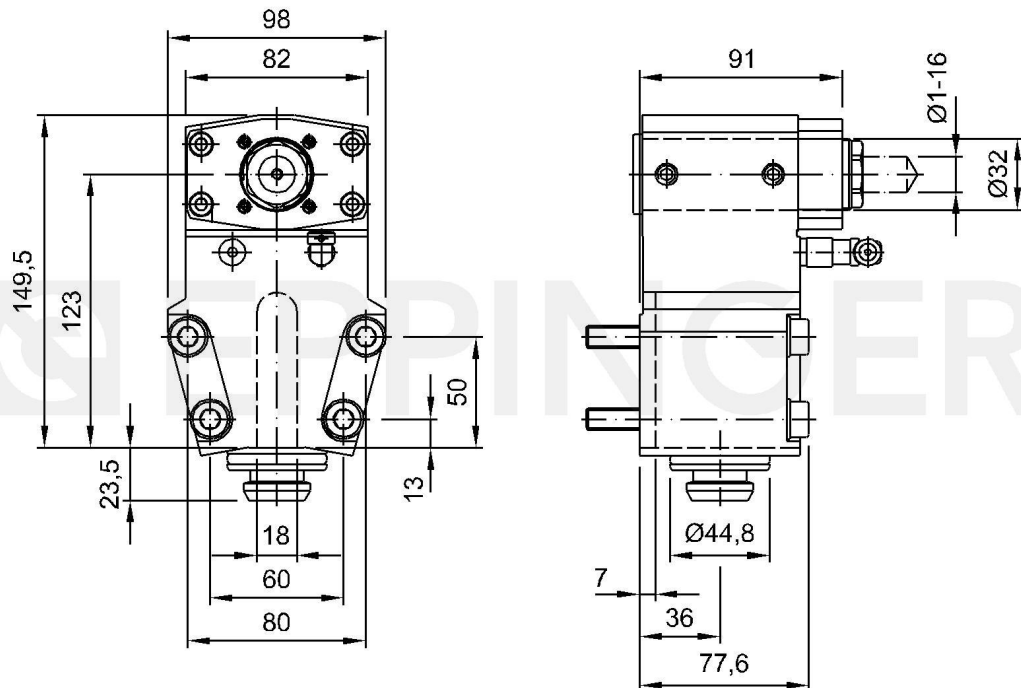


Boring bar holder, angular, left hand - right hand
collet chuck, ER25A, PRECI-FLEX®, external and central coolant
supply

Número de pieza 7.071.795

para Hardinge Quest 65, SR + RS Reihe (ESA-Rev.)

Accesorios Collets see Equipment for Toolholders Z2.1
Sealing washers see Equipment for Toolholders Z4.1
PRECI-FLEX® Adapter
Coolant tubes 0.000.377 7.071.084
Holder D=25 7.072.116
Holder D=20 7.072.115
Holder ER25A 7.072.636



Datos Técnicos sujetos a cambios

06.05.2004 | 21.08.2013

ESA Eppinger GmbH | Breitwiesenweg 2-8 | 73770 Denkendorf, Germany | www.eppinger.de