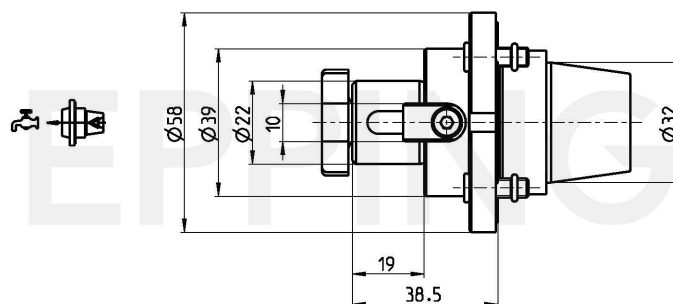


PRECI-FLEX® Adapter 32
Shell Mill Arbor (Transverse Drive) DIN6358-22, central coolant supply



Part Number 3207-1068

Scope of Delivery **Fixing Screws 0.000.510**
O-Ring 11086
Accessories Screw Driver 0.001.076
Socket Wrench 10024



Technical Data Subject to Change

06.04.2017 | 06.04.2017

ESA Eppinger GmbH | Breitwiesenweg 2-8 | 73770 Denkendorf, Germany | www.eppinger.de