
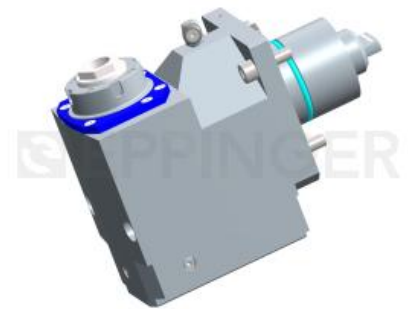




Drilling and milling head, angular, left hand - right hand, short collet chuck, ER25A, PRECI-FLEX®, external coolant supply

Part Number 7.170.870
for Miyano ABX-51/64 SYY/THY

Ratio **1:3**
 rpm at Input **max. 6000 rpm**
 rpm at Output **max. 18000 rpm**
 Torque at Output **max. 25 Nm**
 Direction of Rotation 
 Scope of Delivery **without wrench and collets**
*** Actual size inscribed on the tool**



Accessories Collets see Equipment for Toolholders Z2.
 Wrench for spindle 10006
 PRECI-FLEX® Adapter
 Spindle cover see P99.1

