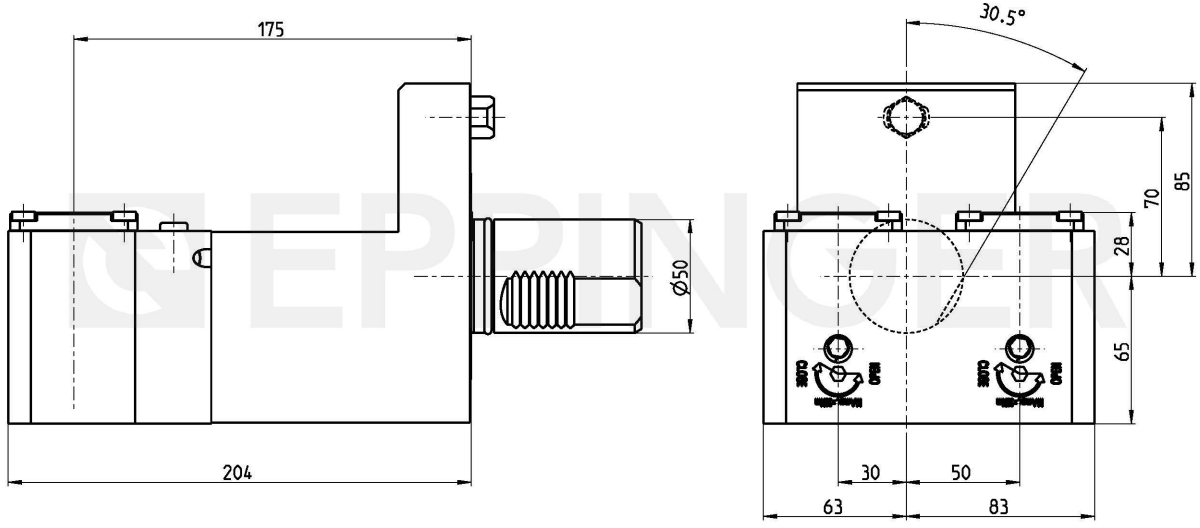
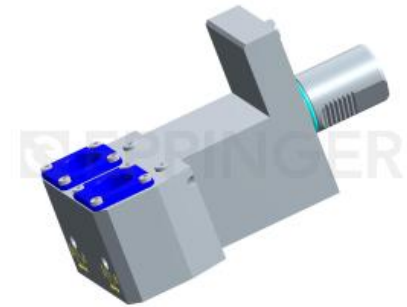


**Tool holder, angular, multiple quick change, EPPINGER PSC 50, RH external and central coolant supply**



**Part Number 7.078.212**  
**for Mazak QTN 300/350/400/450 MSY (II)**

Accessories Coolant tubes 0.000.377



Technical Data Subject to Change

02.04.2014 | 02.04.2014