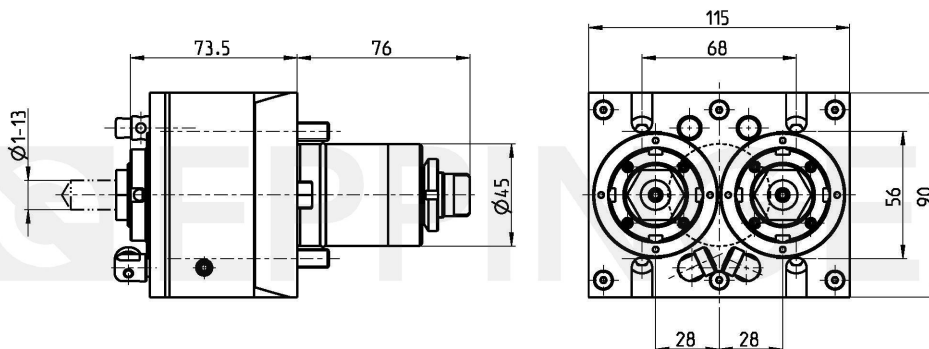
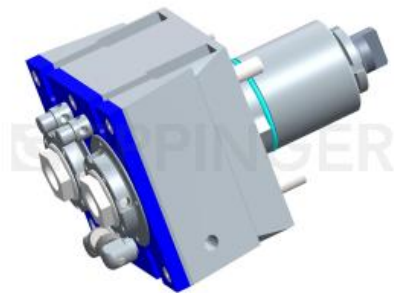


**Drilling and milling head, straight, double, Z offset  
collet chuck, ER20A, PRECI-FLEX®  
external coolant supply**

**Part Number**     **7.077.920**  
**for**                 **Miyano ABX-TH2**

Ratio                 **1:1**  
rpm at Input         **max. 6000 rpm**  
rpm at Output       **max. 6000 rpm**  
Torque at Output    **max. 25 Nm**  
Direction of Rotation   ↻↻  
Scope of Delivery    **without wrench and collets**  
Accessories Collets see Equipment for Toolholders Z2.  
Wrench for spindle 0.002.325  
PRECI-FLEX® Adapter  
Protection cover for spindle see P99.1



Technical Data Subject to Change

11.12.2013 | 07.07.2016

ESA Eppinger GmbH | Breitwiesenweg 2-8 | 73770 Denkendorf, Germany | www.eppinger.de