


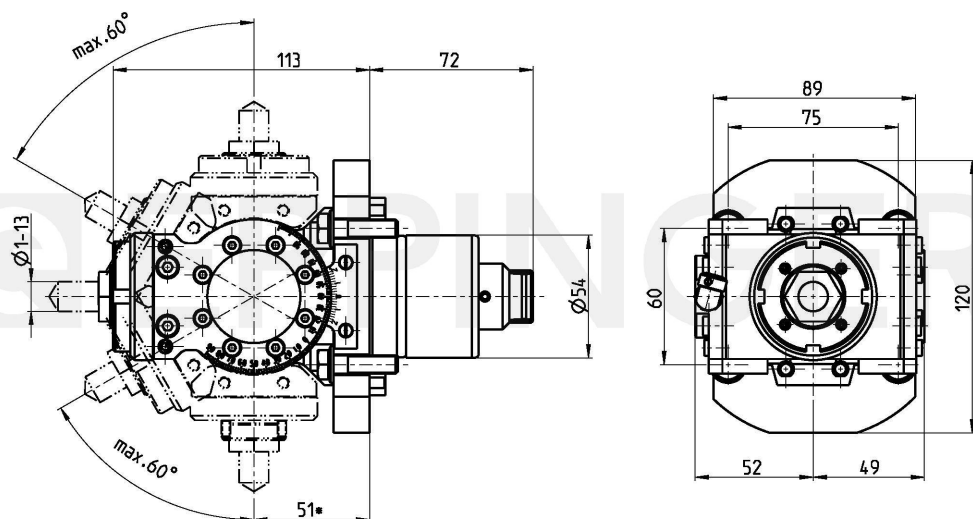
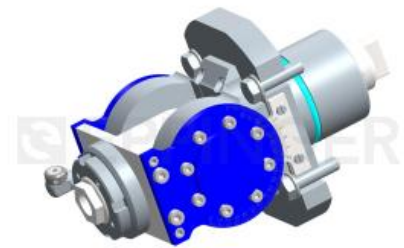
## Drilling and milling head, straight, angular adjustable collet chuck, ER20A, PRECI-FLEX®, CC external coolant supply



**Part Number** 7.076.574  
**for** Miyano ABX-51/64 SYY/THY

Ratio 1:1  
rpm at Input max. 6000 rpm  
rpm at Output max. 6000 rpm  
Torque at Output max. 13 Nm  
Direction of Rotation   
Scope of Delivery **without wrench and collets**

Accessories Collets see Equipment for Toolholders Z2.1  
Sealing washers see Equipment for Toolholders Z4.1  
Wrench for spindle 10006  
PRECI-FLEX® Adapter  
Spindle cover see P99.1  
Spindle sealing see P99.1  
Coolant tubes 0.001.053



Technical Data Subject to Change

19.09.2012 | 09.04.2013

ESA Eppinger GmbH | Breitwiesenweg 2-8 | 73770 Denkendorf, Germany | [www.eppinger.de](http://www.eppinger.de)