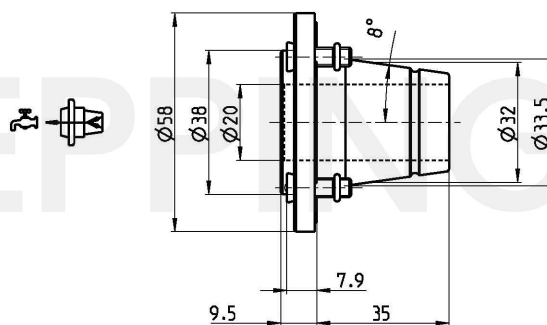


PRECI-FLEX® Adapter 32, Shrink Fit D20



Part Number 3214-0367

Scope of Delivery **Fixing Screws 0.000.510**
O-Ring 11086
Accessories Screw Driver 0.001.076



Technical Data Subject to Change

24.08.2012 | 06.09.2012