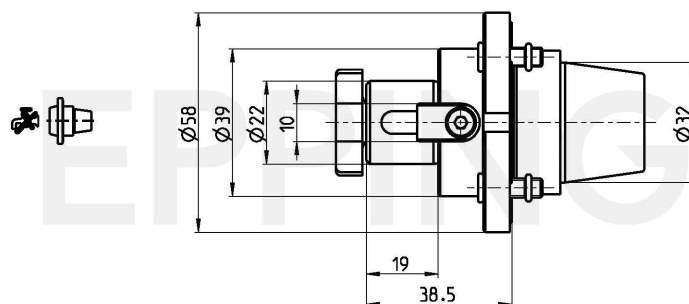


**PRECI-FLEX® Adapter 32, Shell Mill Arbor (Transverse Drive)  
DIN6358-22****Part Number 3207-0024**Scope of Delivery **Fixing Screws 0.000.510  
O-Ring 11086**Accessories Screw Driver 0.001.076  
Socket Wrench 10024

Technical Data Subject to Change

24.08.2012 | 24.08.2012

ESA Eppinger GmbH | Breitwiesenweg 2-8 | 73770 Denkendorf, Germany | [www.eppinger.de](http://www.eppinger.de)