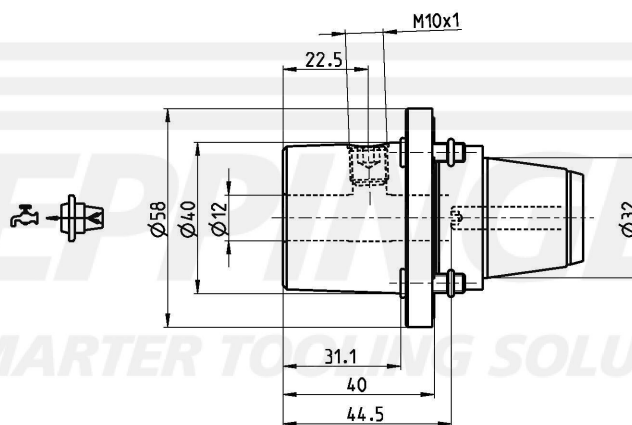


**PRECI-FLEX® Adapter 32, Whistle Notch extended DIN1835-E12****Part Number 3206-0053**Scope of Delivery **Fixing Screws 0.000.510**  
**O-Ring 11086**

Accessories Screw Driver 0.001.076



Technical Data Subject to Change

24.08.2012 | 24.08.2012