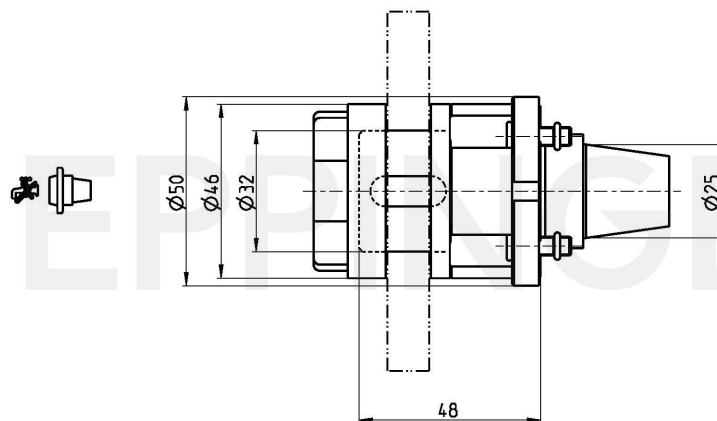


**PRECI-FLEX® Adapter 25, Shell Mill Arbor (Transverse Drive)
DIN6358-32****Part Number 2507-0406**Scope of Delivery **Fixing Screws 0.000.510
O-Ring 11086**Accessories Screw Driver 0.001.076
Socket Wrench 10025

Technical Data Subject to Change

24.08.2012 | 11.12.2014

ESA Eppinger GmbH | Breitwiesenweg 2-8 | 73770 Denkendorf, Germany | www.eppinger.de