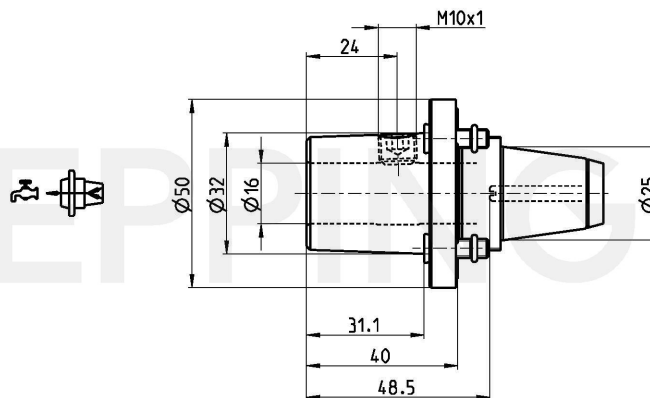


PRECI-FLEX® Adapter 25, Whistle Notch extended DIN1835-E16



Part Number 2506-0075

Scope of Delivery **Fixing Screws 0.000.510**
O-Ring 11086
Accessories Screw Driver 0.001.076



Technical Data Subject to Change

24.08.2012 | 07.09.2012