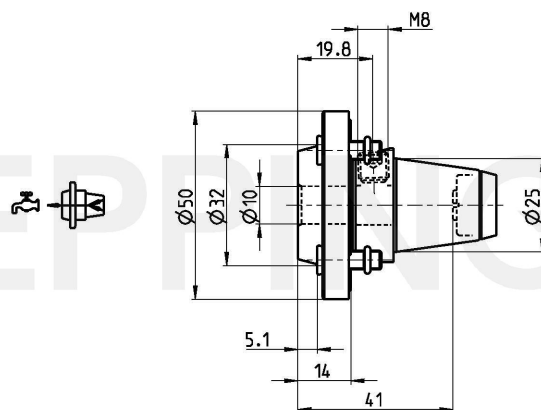
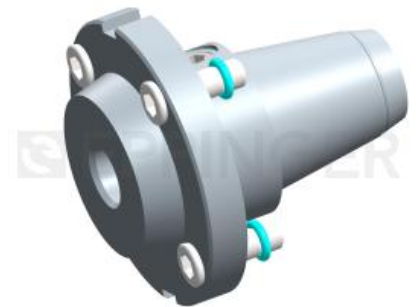


**PRECI-FLEX® Adapter 25, Whistle Notch short Standard  
DIN1835-E10****Part Number 2505-0068**Scope of Delivery **Fixing Screws 0.000.510**  
**O-Ring 11086**  
Accessories Screw Driver 0.001.076

Technical Data Subject to Change

24.08.2012 | 24.08.2012

ESA Eppinger GmbH | Breitwiesenweg 2-8 | 73770 Denkendorf, Germany | [www.eppinger.de](http://www.eppinger.de)