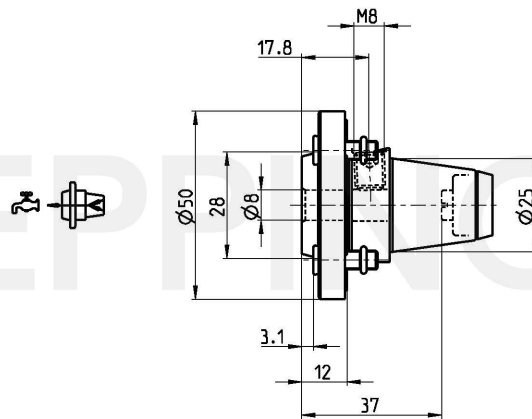


**PRECI-FLEX® Adapter 25, Whistle Notch short Standard
DIN1835-E8**



Part Number 2505-0067

Scope of Delivery **Fixing Screws 0.000.510**
O-Ring 11086
Accessories Screw Driver 0.001.076



Technical Data Subject to Change

24.08.2012 | 24.08.2012