


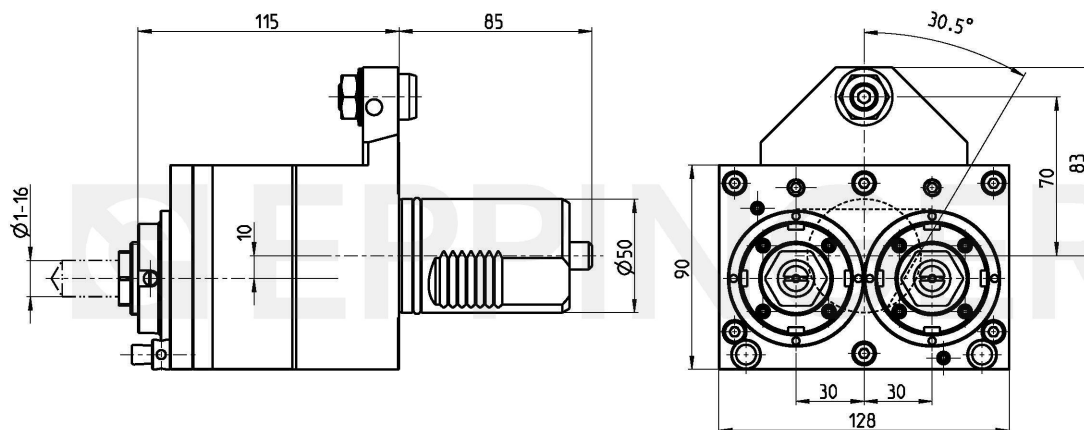
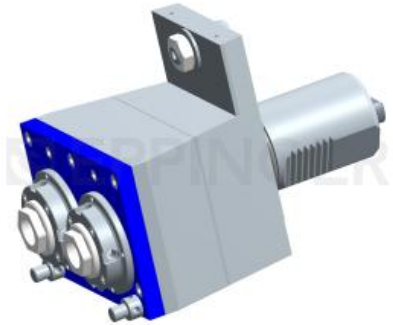
**Drilling and milling head, straight, double, adjustable alignment pi
collet chuck, ER25A, PRECI-FLEX®
external and central coolant supply**



Part Number 7.076.070
for Mazak QTN 300/350/400/450 MSY (II)

Ratio **1:1**
rpm at Input **max. 6000 rpm**
rpm at Output **max. 6000 rpm**
Torque at Output **max. 35 Nm**
Direction of Rotation 
Scope of Delivery **without wrench and collets**

Accessories Collets see Equipment for Toolholders Z2.1
Sealing washers see Equipment for Toolholders Z4.1
Wrench for spindle 0.002.277
PRECI-FLEX® Adapter
Spindle cover see P99.1
Spindle sealing see P99.1
Coolant tubes 0.000.377



Technical Data Subject to Change

24.07.2012 | 30.01.2023