
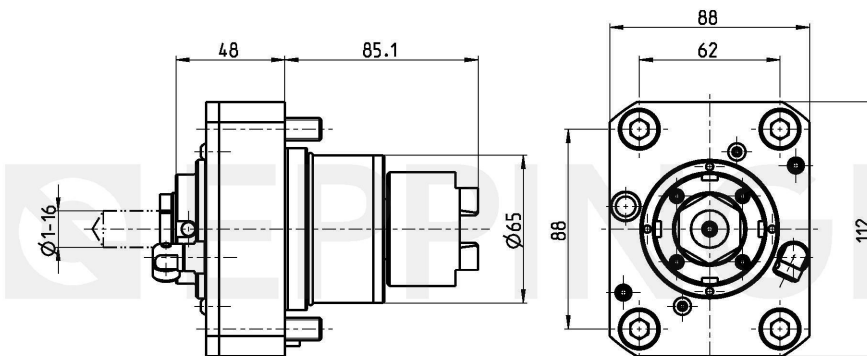
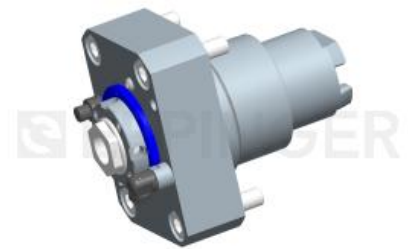


**Drilling and milling head, straight
collet chuck, ER25A, PRECI-FLEX®, external coolant supply**

Part Number 7.074.816
for Miyano BNE-64SY2

Ratio 1:1
rpm at Input max. 6000 rpm
rpm at Output max. 6000 rpm
Torque at Output max. 25 Nm
Direction of Rotation 
Scope of Delivery **without wrench and collets**
Accessories Collets see Equipment for Toolholders Z2.
Wrench for spindle 0.002.277
PRECI-FLEX® Adapter
Spindle cover see P99.1



Technical Data Subject to Change

22.04.2010 | 13.09.2012

ESA Eppinger GmbH | Breitwiesenweg 2-8 | 73770 Denkendorf, Germany | www.eppinger.de