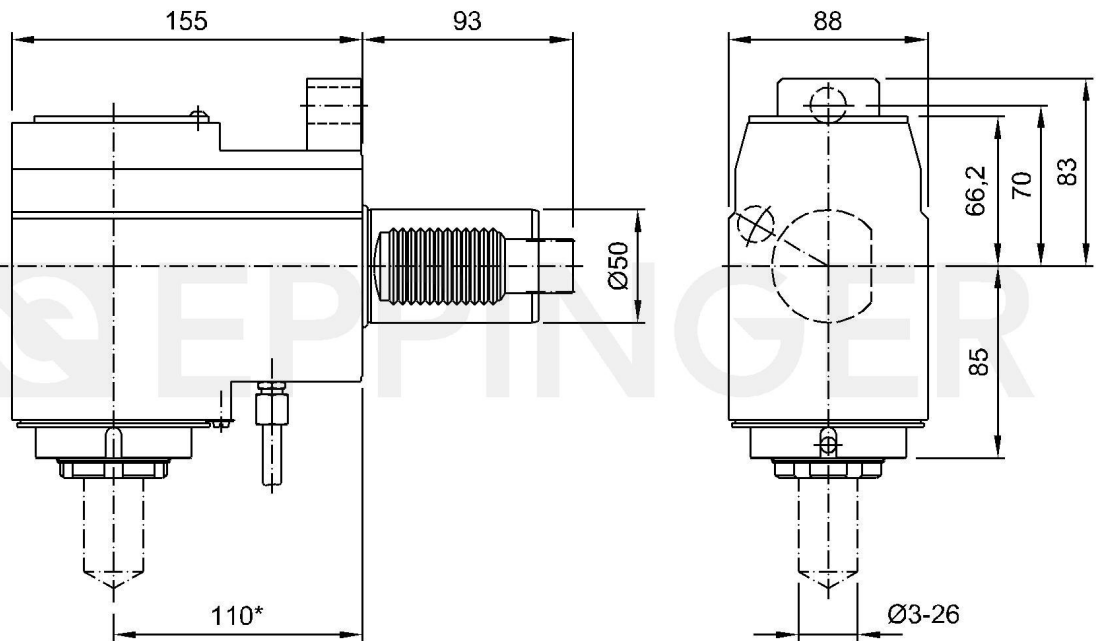




Drilling and milling head, angular, right hand  
collet chuck, ER40A, PRECI-FLEX®, external coolant supply

产品编号	5.200.146
适配	Sauter DIN5482 B20x17 (50)
传动比	1:1
输入转速	max. 4000 1/min
输出转速	max. 4000 1/min
输出扭矩	max. 100 Nm
旋转方向	
交货期	without wrench and collets * Actual size inscribed on the tool
附件	Collets see Equipment for Toolholders Z2. Wrench for spindle 10006, 0.002.277 PRECI-FLEX® Adapter Spindle cover see P99.1



技术数据可能随时更新

07.05.2008 | 03.06.2014