

Cut-off tool holder, direction of rotation M4  
 external and central coolant supply  
 Tool height H=32

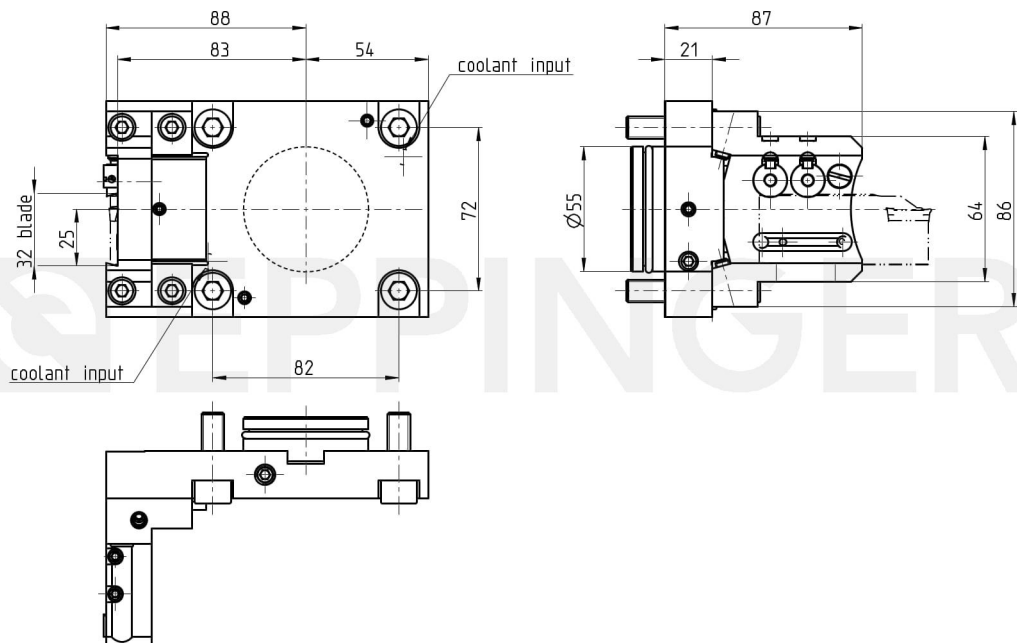


产品编号

1127842

适配

Takisawa TS-5000/TS-4000/TS-3000 (15 fach)/TM-4000 (12 fach)



技术数据可能随时更新

18.11.2025 | 18.11.2025