




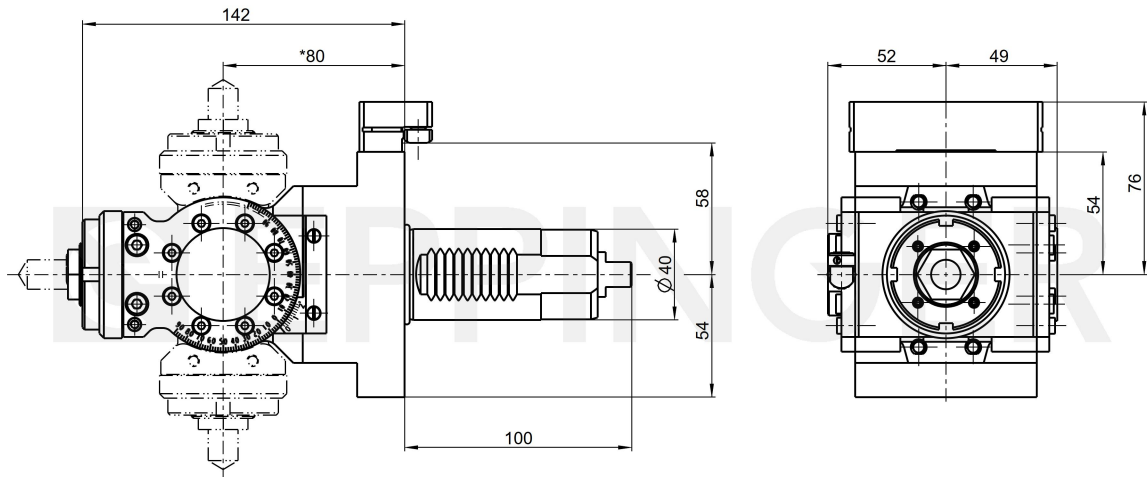
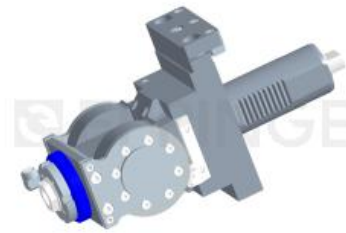
Drilling and milling head, straight, angular adjustable
collet chuck, ER20A, PRECI-FLEX®, external coolant supply

产品编号 4.201.880

适配 EMAG VL4 (VDI40)

传动比 1:1
 输入转速 max. 5000 1/min
 输出转速 max. 5000 1/min
 输出扭矩 max. 13 Nm
 旋转方向 
 交货期 without wrench and collets
 * Actual size inscribed on the tool

附件 Collets see Equipment for Toolholders Z2.
 Wrench for spindle 10006
 PRECI-FLEX® Adapter
 Spindle cover see P99.1



技术数据可能随时更新

05.05.2022 | 05.05.2022